



GENERATING POWER WITH LESS FUEL

# SOUND BLAST



## SBx 40

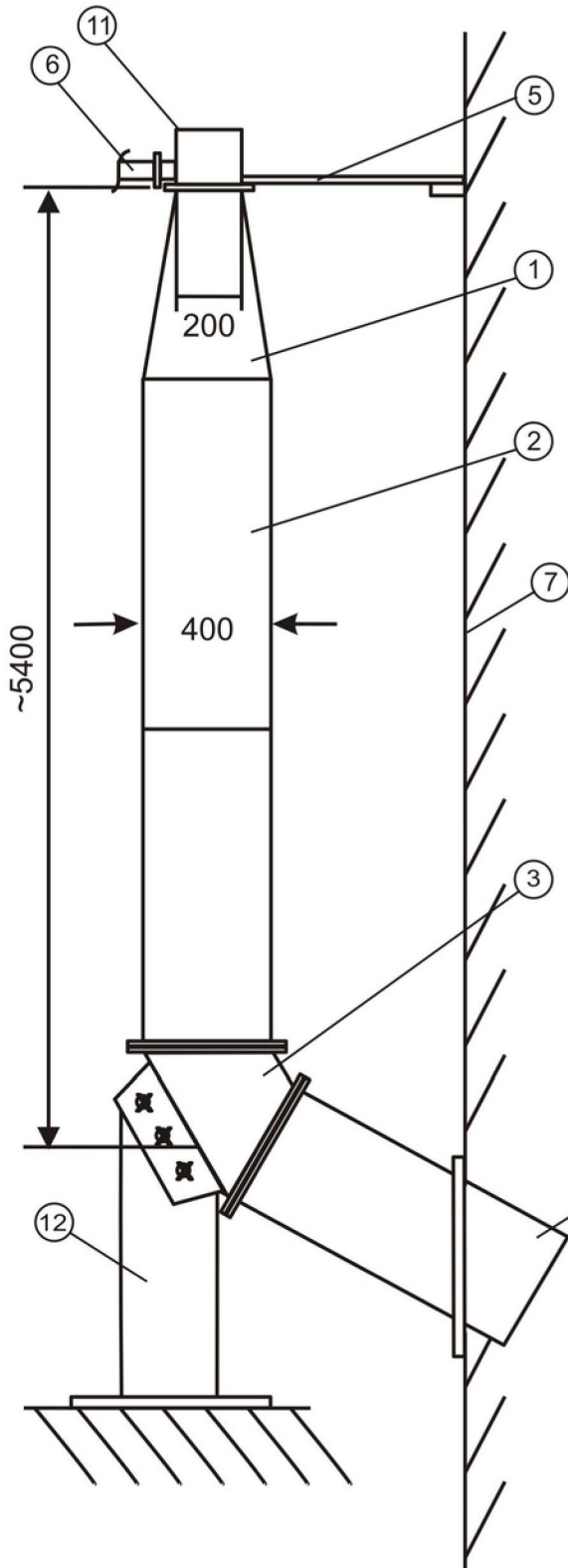
**Low Frequency Sonic Soot Blowers  
(Inaudible)**

SONIC SOOT BLOWING

Sound Blast Sonic Power Co., Ltd.

Professional in Sonic Soot Blowing

# SBx 40



## Technical data

Frequency: 10~25 Hz (at 20°C, 68°F)

Sound Pressure Level, 1m (3.3ft) : ~138 dB

Feeding Pressure during signal: 0.4~0.7 MPa (4~7 bar)(58~101.5 psi)

Air consumption during signal (STP): 180~240 l/s (6.3~8.4 cfs)

Material (Resonance tube & end piece): galvanized steel

## Maximum Temperature

End piece: 800°C (1472°F)

Valve Unit: 60°C (140°F)

## Miscellaneous

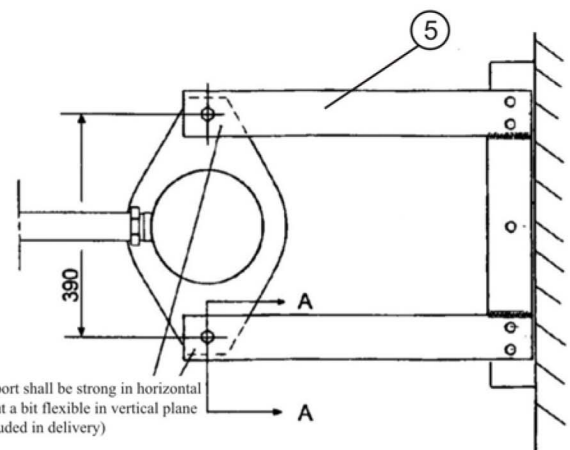
Air connection: Pipe thread 38 mm (1-1/2")

Solenoid valve voltage: 230V/110V AC, 50Hz/60Hz

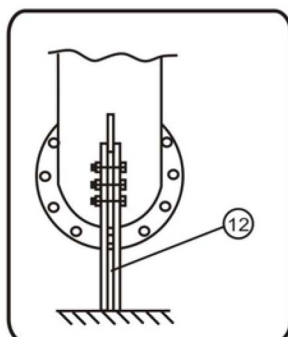
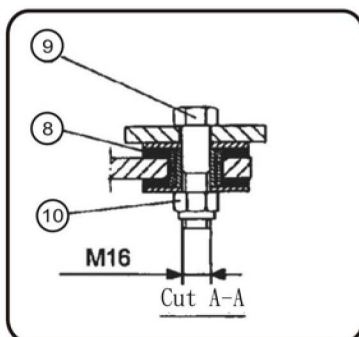
Weight: ~100kg (220 lb)

Remarks			
No	Name	Material	Ref. No.
1	Tube Cone	Galvanized steel	190269141
2	Tube Straight	Galvanized steel	190269150
3	Tube bend 120°	Galvanized steel	190269143
4	End-piece	Galvanized steel	190269144
5	Support	Stainless Steel	Not included in delivery
6	Air inlet pipe	Comp. rubber	Not included in delivery
7	Boiler wall	---	---
8	Rubber damper (one set)	Comp. rubber	2 pcs 190268880 1 pc 190268881
9	Screw	Stainless Steel	190201156
10	Nut	Stainless Steel	190202027
11	Sound Generator	Stainless Steel	SBx92
12	Support	Stainless Steel	Not included in delivery

When ordering parts, give part name and reference number.



Top support shall be strong in horizontal plane, but a bit flexible in vertical plane (not included in delivery)



Your local **SOUND BLAST** contact is:

**IPH Servis**

ing. Pavel Halfar - IPH Servis, Kuncičky u Bašky 327  
739 01 Baška IČ:48765236 DIČ:CZ6501161700

SBx40-05003