



GENERATING POWER WITH LESS FUEL

SOUND BLAST



Sound Generator SBx92

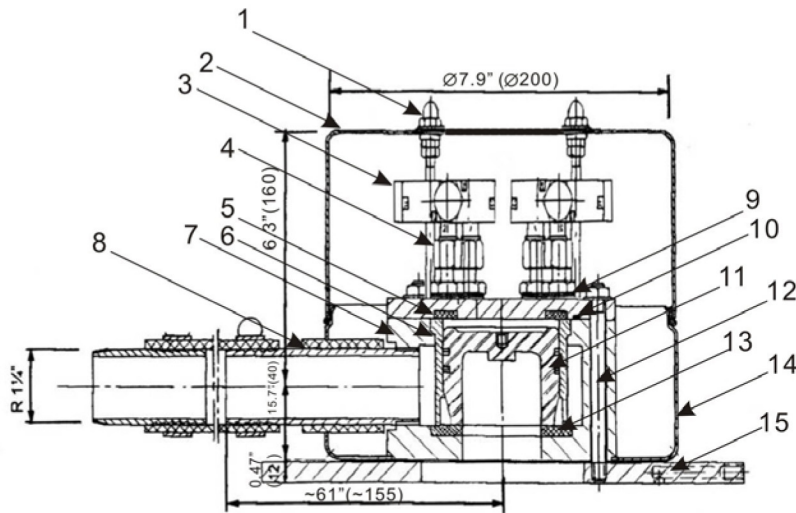
For Low Frequency Sonic Soot Blowers

Sound Blast Sonic Power Co., Ltd.

Professional in Sonic Soot Blowing

SONIC SOOT BLOWING

SBx Sound Generator



Legend:

1. Cover bolt
2. Upper cover
3. Solenoid valve
4. Connection
5. Top damper
6. Cylinder
7. Block
8. Inlet pipe
9. Block cover
10. O ring
11. Piston
12. Hold down bolt
13. Bottom damper
14. Lower cover
15. Flange

Technical Specification

Frequency: 10~25Hz (20°C)

Operating air pressure: 0.4~0.7MPa
(4~7 bar)(58~101.5 psi)

Operating air consumption (STP): ~240 litres/sec
(~8.4 cfs)

Maximum temperature range: 0~60°C (32~140°F)

Connection: 38mm(1-1/2") pipe thread

Controller input: 110~230V AC, 50~60Hz

Solenoid consumption: 24V DC/14VA

Weight: ~16kg (~35lb)

Your local **SOUND BLAST** contact is:



②

ing. Pavel Halfar - IPH Servis, Kunčičky u Bašky 327
739 01 Baška IČ:48765236 DIČ:CZ6501161700

SBxSdGen-05006